

Ref:FO2PC-BV1L-1E
Rev.:Initial
Page:1/1

LUG TYPE BUTTERFLY VALVE (2PC BODY) BUTTERFLY VALVE WITH ELECTIC ACUTATOR FO2PC-BV1L-1E



APPLICATION

General Use: for corrosive fluids(acids....)

CARACTERISTIQUES GENERALES

From DN40-DN300
ISO 5211 Mounting flange.Stem in two part.
PTFE sealing ring with viton elastomer back up stainless steel disc.
Operated by Electric acutator .
Coating:Epoxy powder coating 250um.

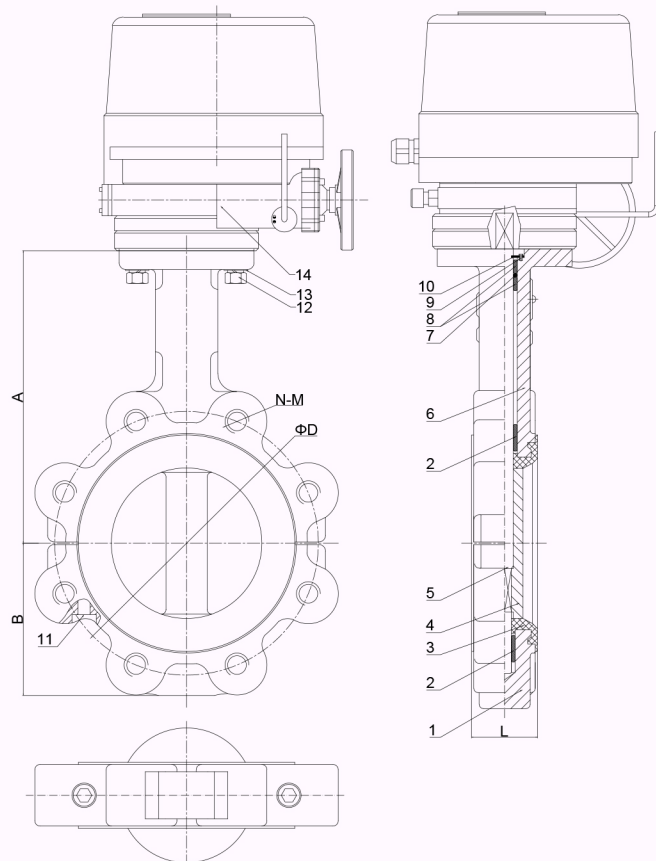


CONSTRUCTION

NO.	PRATS	MATERIAL
1	BODY (2PC)	CI / DI / SS / WCB
2	BUSHING	PTFE / BRONZE
3	SEAT	PTFE
4	DISC	CF8 / CF8M / AL-BC / DUPLEX STEEL
5	STEM	SS416 / SS304 / SS316
6	BODY	CI / DI / SS / WCB
7	O-RING	NBR / EPDM
8	BUSHING	PTFE / COPPER ALLOY
9	BOLT	STAINLESS STEEL / GALVANIZED
10	PRESSURE RING	CARBON STEEL
11	BOLT	STAINLESS STEEL / GALVANIZED
12	BOLT	STAINLESS STEEL / GALVANIZED
13	FLAT WASHER	STAINLESS STEEL / GALVANIZED
14	ELECTIC ACUTATOR	ASSEMBLY
NO.	PRATS	MATERIAL

DIMENSIONS

DN	mm	inch	A	B	L	PN10			PN16			ANSI 150		
						ΦD	N	M	ΦD	N	M	ΦD	N	M
50	2"	135	73	43	125	4	M16	125	4	M16	120.5	4	3/8"-11	
65	2.5"	135	80	46	145	4	M16	145	4	M16	139.5	4	3/8"-11	
80	3"	138	90	46	160	8	M16	160	8	M16	152.5	4	3/8"-11	
100	4"	159	116	52	180	8	M16	180	8	M16	190.5	8	3/8"-11	
125	5"	176	130	56	210	8	M16	210	8	M16	216	8	3/4"-10	
150	6"	188	148	56	240	8	M20	240	8	M20	241.5	8	3/4"-10	
200	8"	230	180	60	295	8	M20	295	12	M20	298.5	8	3/4"-10	
250	10"	315	205	68	350	12	M20	355	12	M24	362	12	1 1/8"-9	
300	12"	0	0	78	400	12	M20	410	12	M24	432	12	1 1/8"-9	



STANDARDS

Tests according to ISO 5208
Face to face dimensions according to API 609 & ISO 5752 series 20
Mounting between flanges PN10/16.

WORKING CONDITIONS

Maximum Working Pressure:10bar/16bar.
Maximum temperature:-20°C / +190°C.

Tianjin Fortis Valve Co.,Ltd.
Fortis Valve-Guaizigou Industrial Zone,Xiaozhan Town,Jin nan
District,Tianjin of China.
Tel:+86-22-88529757 Fax:+86-22-88818118
Email:info@fortisvalves.com Web:www.fortisvalves.com