

U TYPE DOUBLE FLANGED BUTTERFLY VALVE WITH WORM GEAR FU01-BV1UDF-1G



APPLICATION

General Use: Water, sea water, gas, pressurized air, acids etc.

CARACTERISTIQUES GENERALES

Design in accordance with NF EN 593. Tightness in both ways. With low torque.

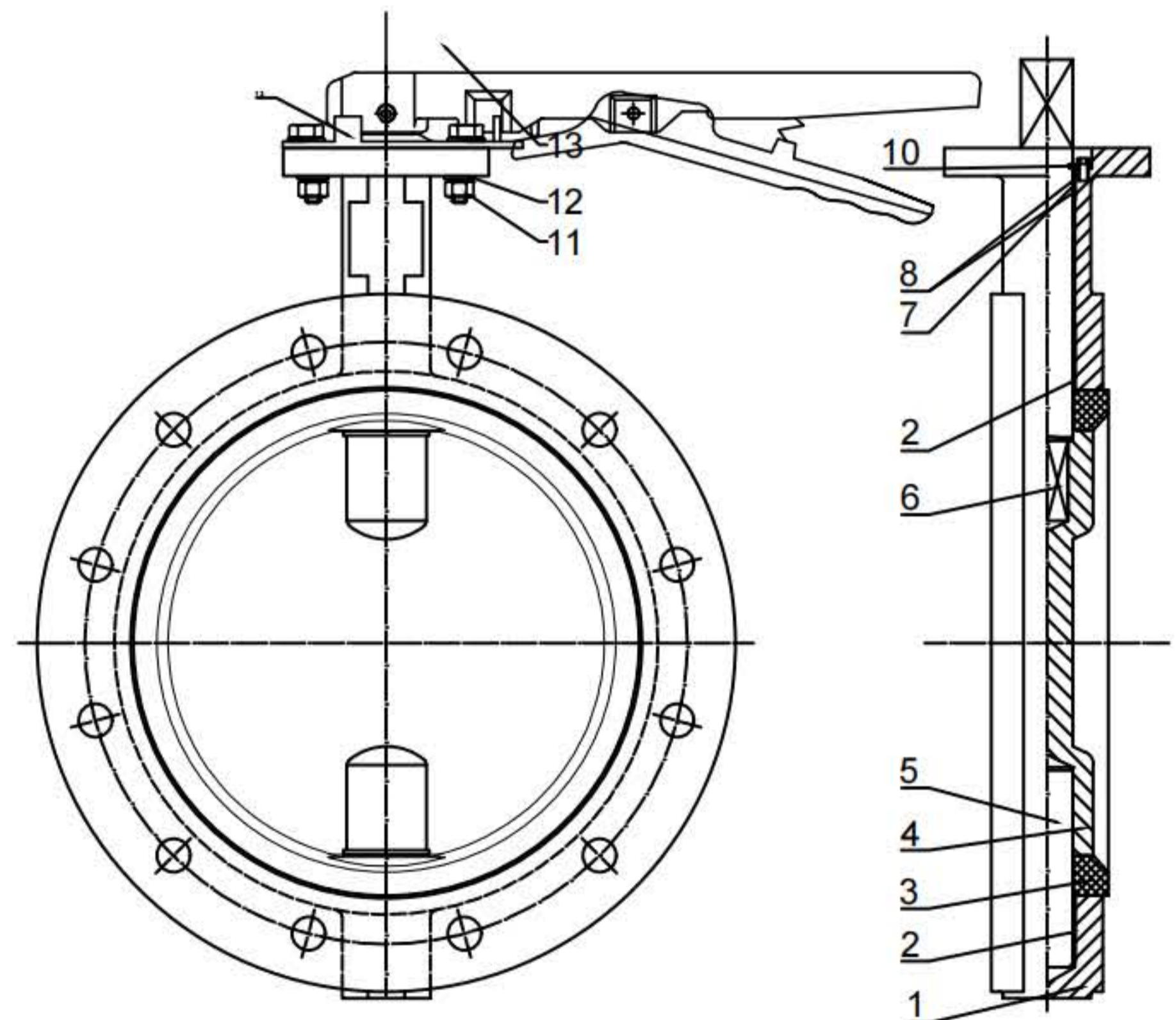
CONSTRUCTION

NO.	PRATS	MATERIAL
1	BODY	CI / DI / SS / WCB
2	BUSHING	PTFE / BRONZE
3	SEAT	EPDM / NBR / VITON / SILICON etc
4	DISC	CF8 / CF8M / AL-BC / DUPLEX STEEL
5	LOWER SHAFT	SS416 / SS304 / SS316
6	UPPER SHAFT	SS416 / SS304 / SS316
7	O-RING	NBR / EPDM
8	BUSHING	PTFE / BRONZE
9	BOLT	STAINLESS STEEL / GALVANIZED
10	PRESSURE RING	CARBON STEEL
11	BOLT	STAINLESS STEEL / GALVANIZED
12	FLAT WASHER	STAINLESS STEEL / GALVANIZED
13	WORM GEAR	ASSEMBLY



DIMENSIONS

DN					PN10				PN16				ANSI 150			
mm	inch	A	B	L	ΦD	N	M	E	ΦD	N	M	E	ΦD	N	M	E
400	16"	400	297	102	515	16	Φ27	M24	525	16	Φ30	M27	539.5	16	Φ29	1"-8
450	18"	422	315	114	565	20	Φ27	M24	585	20	Φ30	M27	578	16	Φ32	1 1/8"-7
500	20"	480	348	127	620	20	Φ27	M24	650	20	Φ33	M30	635	20	Φ32	1 1/8"-7
600	24"	562	444	154	725	20	Φ30	M27	770	20	Φ36	M33	749.5	20	Φ35	1 1/4"-6
700	28"	629	512	165	840	24	Φ30	M27	840	24	Φ36	M33	863	28	Φ35	1 1/4"-6
800	32"	666	576	190	950	24	Φ33	M30	950	24	Φ39	M36	977.9	28	Φ41	1 1/2"-6
900	36"	722	635	203	1050	28	Φ33	M30	1050	28	Φ39	M36	1086	32	Φ41	1 1/2"-6
1000	40"	800	700	216	1160	28	Φ36	M33	1170	28	Φ42	M39	1200	36	Φ41	1 1/2"-6
1200	48"	941	844	254	1380	32	Φ39	M36	1390	32	Φ48	M45	1422.5	44	Φ41	1 1/2"-6



WORKING CONDITIONS

Maximum Working Pressure: 16 bar.
 Maximum Working Temperature table

Sleeve type in option	Maximum Temperature	Peak Temperature
EPDM	+4°C~+110°C	-20°C~+130°C
EPDM Blanc	+4°C~+110°C	-20°C~+130°C
CSM (Type Hypaion)	+4°C~+80°C	-20°C~+110°C
FPM (Type Viton)	-10°C~+170°C	-20°C~+200°C
Silicone	-20°C~+170°C	-40°C~+200°C
Nitrile (NBR)	-10°C~+80°C	-20°C~+90°C

STANDARDS

Manufacture according to the requirements of the European directive 2014/68/EU, modulate H Face to face according to standards NF EN558 SERIE 20. ISO5752, DIN3202. Mounting between flanges PN16
 Body: 24bar
 Seat: 17.6bar

s.com
 Tianjin Fortis Valve Co., Ltd.
 Fortis Valve-Guaizigou Industrial Zone, Xiaozhan Town, Jin nan District, Tianjin of China.
 Tel: +86-22-88529757
 Email: info@fortisvalve.com

s.com
 Fax: +86-22-88818118
 Web: www.fortisvalve.com